

Mi TOWER+



One Man Build Tower



Two Man Use Tower



<15 Mins Assembly



Safe Assembly



Strong & Robust



Small Footprint



Up to 8m



eolution



FIRST

ONE MAN QUICK-ASSEMBLY ACCESS TOWER FOR USE BY TWO MEN



EASY TO TRANSPORT



EASY TO MOVE



SCAN TO SEE MORE



COMPACT TROLLEY



TROLLEY IS TOWER BASE

it's safe and simple...



+44 (0)1244 833 933

info@popupproducts.co.uk

popupproducts.co.uk

Mi TOWER+



Easy-hang hangers



Two Man Use



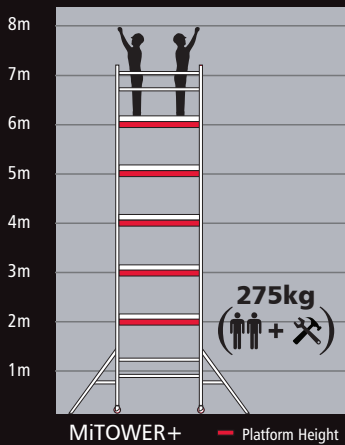
Easy-clip frame clips



Easy-lock stabilisers



Strong & Robust



Working Heights

Specifications	4m	5m	6m	7m	8m
Overall Length (mm)	1620	1620	1620	1620	1620
Overall Width (mm)	728	728	728	728	728
Overall Height (m)	3	4	5	6	7
Platform Dimensions (mm)	1472 x 610	1472 x 610	1472 x 610	1472 x 610	1472 x 610
Platform Height (m)	2	3	4	5	6
Gross Weight (kg)	88	115	126	154	165
Stabiliser Footprint (m)	3.9(l) x 3.1(w)	3.9(l) x 3.1(w)	3.9(l) x 3.1(w)	3.9(l) x 3.1(w)	3.9(l) x 3.1(w)

it's safe and simple...



+44 (0)1244 833 933

info@popupproducts.co.uk

popupproducts.co.uk